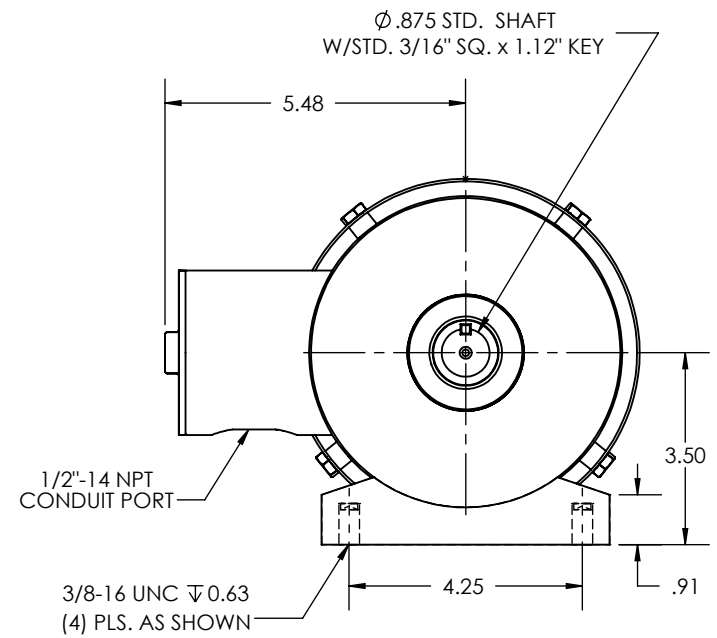
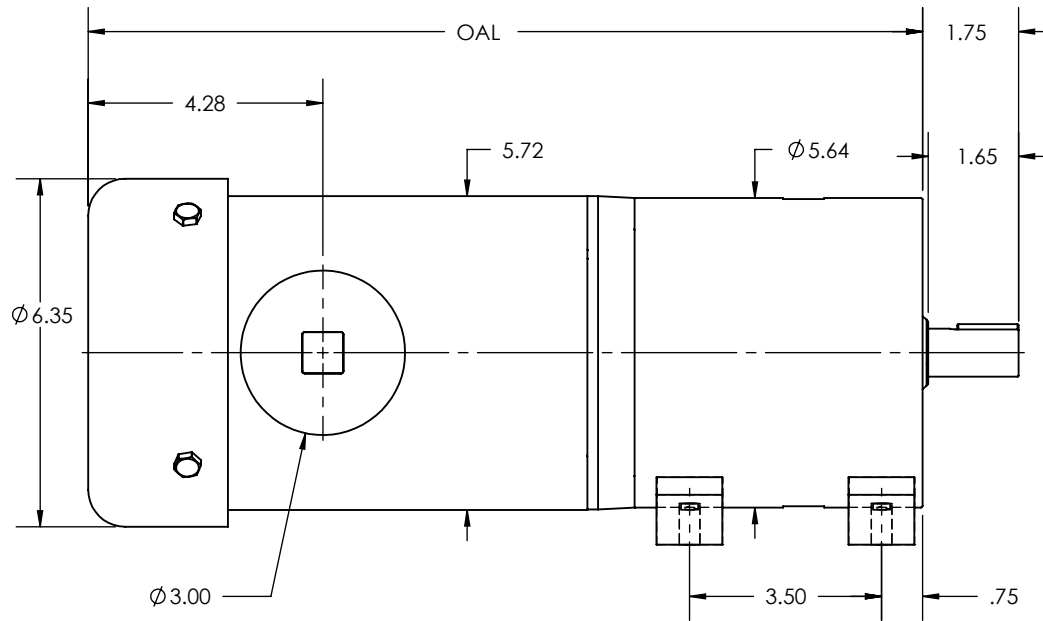


OAL DIMENSION			
RATIO	OUTPUT RPM	0.25-0.33 HP	0.5 HP
3.17	548	14.15"	15.15"
3.6	483		
4.25	409		
5.33	326		
10.05	173		
11.41	152		
12.96	134		
13.47	129		
15.3	113		
16.89	103		
18.06	96		
19.18	90		
22.65	76		
28.4	61		

REVISIONS			
REV.	DESCRIPTION	BY	DATE



- OTHER SHAFT SIZES AVAILABLE
- GREASE OR OIL LUBRICATION AVAILABLE
- OTHER RATIOS AVAILABLE UPON REQUEST

THIS DRAWING CONTAINS INFORMATION WHICH IS PROPRIETARY AND CONFIDENTIAL TO STAINLESS MOTORS, INC. AND IS TRANSMITTED IN CONFIDENCE. THE REPRODUCTION, USE OR DISCLOSURE, IN WHOLE OR IN PART, OF THE DESIGN CONTAINED HEREIN TO OTHERS IS PROHIBITED WITHOUT THE WRITTEN CONSENT OF STAINLESS MOTORS, INC.

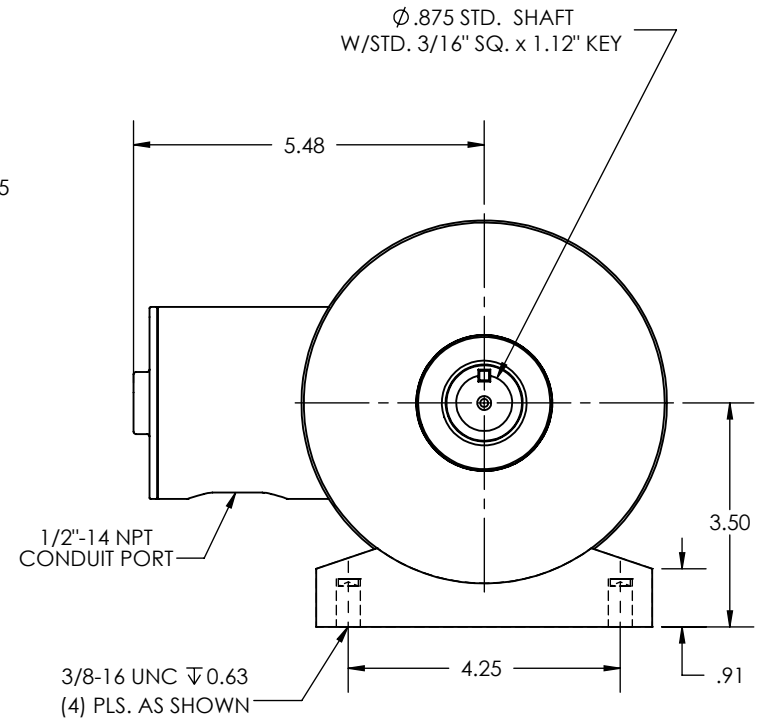
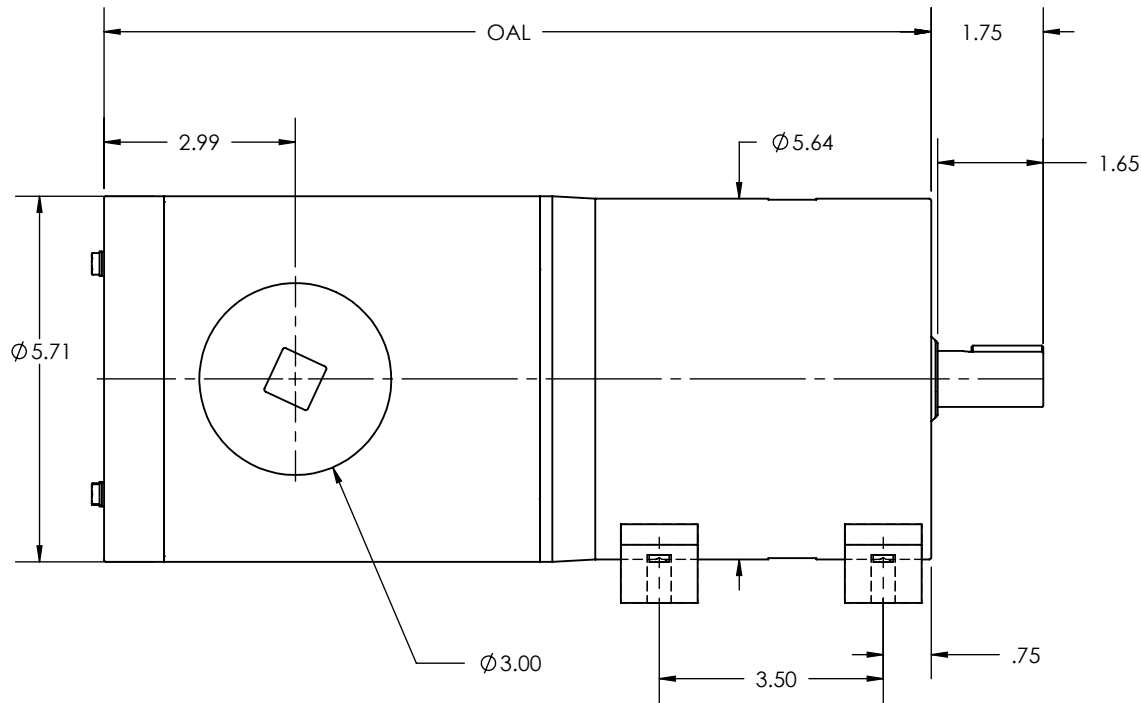
© COPYRIGHT STAINLESS MOTORS, INC. ALL RIGHTS RESERVED. YEAR OF COPYRIGHT IS FIRST YEAR INDICATED ON THE DRAWING.

DO NOT SCALE DRAWING	MATERIAL: T304 EXTERIOR 17-4 H1150 SHAFT	<b>STAINLESS MOTORS INC.</b>
UNLESS OTHERWISE SPECIFIED	FINISH: #4 LINE	
DIMENSIONS ARE IN INCHES DIMENSIONS AND SURFACE TEXTURE DESIGNATIONS APPLY PRIOR TO FINISH	GENERAL TOLERANCES: .X = +/-0.015 .XX = +/-0.010 .XXX = +/-0.005	DRAWN: WJK
DEBURR AND BREAK ALL SHARP EDGES 0.005 - 0.015	FRACTIONAL = +/- 1/64 ANGULAR = +/- 1/2°	CHECK: JO
REFERENCE DRAWING: F:\Website\GEARBOXES\IL\IL570XXXBAXXX		ENG: JO
		DATE: 1/28/2019
		IL570 FRAME FOOT MOUNT TEFC, BLIND FOOTED SANIFAN

NOTES:

OAL DIMENSION			
RATIO	OUTPUT RPM	0.25-0.33 HP	0.5 HP
3.17	548		
3.6	483		
4.25	409	12.92"	13.92"
5.33	326		
10.05	173		
11.41	152		
12.96	134		
13.47	129		
15.3	113	13.79"	14.79"
16.89	103		
18.06	96		
19.18	90		
22.65	76		
28.4	61		

REVISIONS			
REV.	DESCRIPTION	BY	DATE



1. OTHER SHAFT SIZES AVAILABLE
2. GREASE OR OIL LUBRICATION AVAILABLE
3. OTHER RATIOS AVAILABLE UPON REQUEST

THIS DRAWING CONTAINS INFORMATION WHICH IS PROPRIETARY AND CONFIDENTIAL TO STAINLESS MOTORS, INC., AND IS TRANSMITTED IN CONFIDENCE. THE REPRODUCTION, USE OR DISCLOSURE, IN WHOLE OR IN PART, OF THE DESIGN CONTAINED HEREIN TO OTHERS IS PROHIBITED WITHOUT THE WRITTEN CONSENT OF STAINLESS MOTORS, INC.

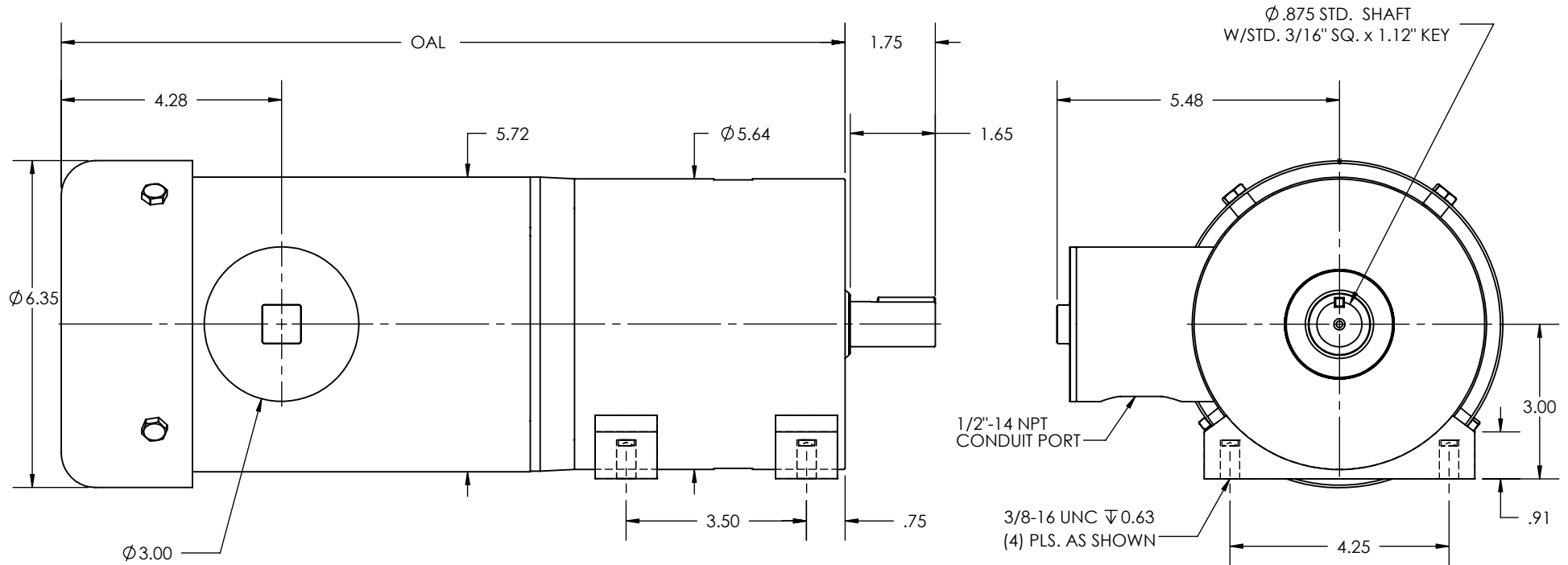
© COPYRIGHT STAINLESS MOTORS, INC. ALL RIGHTS RESERVED. YEAR OF COPYRIGHT IS FIRST YEAR INDICATED ON THE DRAWING.

DO NOT SCALE DRAWING	MATERIAL: T304 EXTERIOR 17-4 H1150 SHAFT	<b>STAINLESS MOTORS INC.</b>
UNLESS OTHERWISE SPECIFIED	FINISH: #4 LINE	
DIMENSIONS ARE IN INCHES DIMENSIONS AND SURFACE TEXTURE DESIGNATIONS APPLY PRIOR TO FINISH	GENERAL TOLERANCES: .X = +/-0.015 .XX = +/-0.010 .XXX = +/-0.005	DRAWN: WJK
DEBURR AND BREAK ALL SHARP EDGES 0.005 - 0.015	FRACTIONAL = +/- 1/64 ANGULAR = +/- 1/2°	CHECK: JO
REFERENCE DRAWING: F:\Website\GEARBOXES\IL\IL570XXXB\XXX-TENV		ENG: JO
		DATE: 1/28/2019
		IL570 FRAME FOOT MOUNT TENV, BLIND FOOTED SANIFAN

NOTES:

OAL DIMENSION			
RATIO	OUTPUT RPM	0.25-0.33 HP	0.5 HP
3.17	548	14.15"	15.15"
3.6	483		
4.25	409		
5.33	326		
10.05	173		
11.41	152		
12.96	134	15.02"	16.02"
13.47	129		
15.3	113		
16.89	103		
18.06	96		
19.18	90		
22.65	76		
28.4	61		

REVISIONS			
REV.	DESCRIPTION	BY	DATE



1. OTHER SHAFT SIZES AVAILABLE
2. GREASE OR OIL LUBRICATION AVAILABLE
3. OTHER RATIOS AVAILABLE UPON REQUEST

THIS DRAWING CONTAINS INFORMATION WHICH IS PROPRIETARY AND CONFIDENTIAL TO STAINLESS MOTORS, INC., AND IS TRANSMITTED IN CONFIDENCE. THE REPRODUCTION, USE OR DISCLOSURE, IN WHOLE OR IN PART, OF THE DESIGN CONTAINED HEREIN TO OTHERS IS PROHIBITED WITHOUT THE WRITTEN CONSENT OF STAINLESS MOTORS, INC.

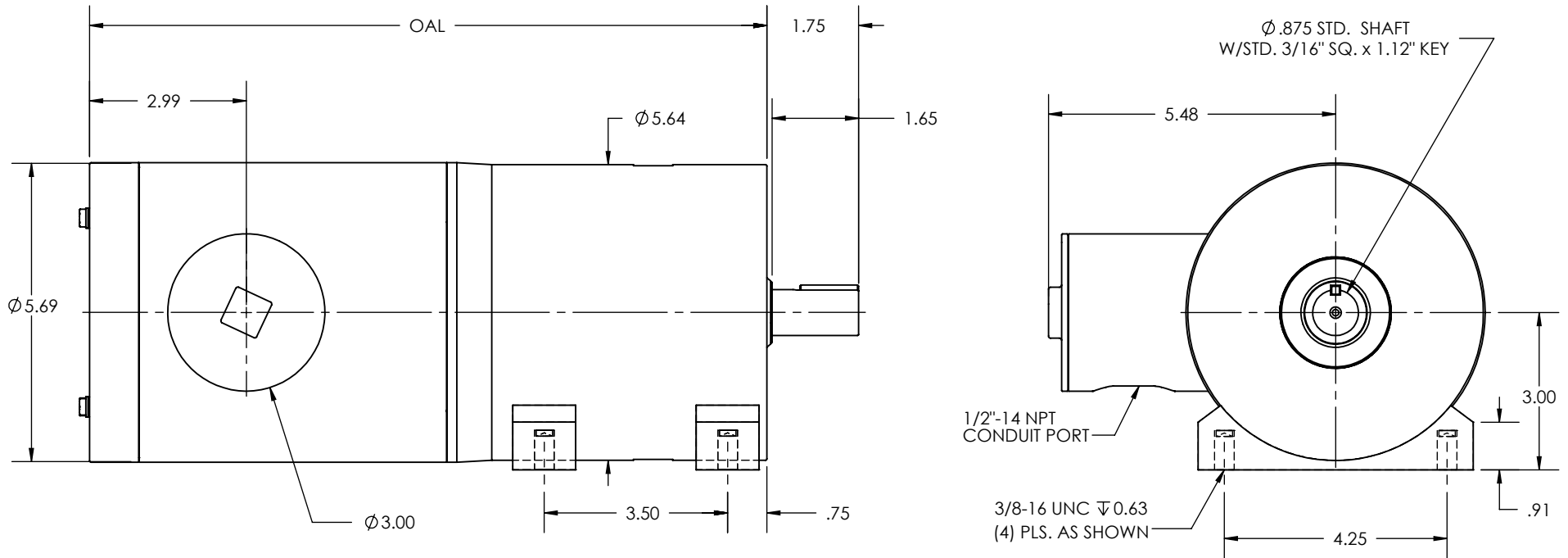
© COPYRIGHT STAINLESS MOTORS, INC. ALL RIGHTS RESERVED. YEAR OF COPYRIGHT IS FIRST YEAR INDICATED ON THE DRAWING.

DO NOT SCALE DRAWING	MATERIAL: T304 EXTERIOR 17-4 H1150 SHAFT	<b>STAINLESS MOTORS INC.</b>
UNLESS OTHERWISE SPECIFIED	FINISH: #4 LINE	
DIMENSIONS ARE IN INCHES DIMENSIONS AND SURFACE TEXTURE DESIGNATIONS APPLY PRIOR TO FINISH	GENERAL TOLERANCES: .X = +/- 0.015 .XX = +/- 0.010 .XXX = +/- 0.005	DRAWN: WJK
DEBURR AND BREAK ALL SHARP EDGES 0.005 - 0.015	FRACTIONAL = +/- 1/64 ANGULAR = +/- 1/2°	CHECK: JO
REFERENCE DRAWING: F:\Website\GEARBOXES\IL\IL570XXXBXXX		ENG: JO
		DATE: 1/28/2019
		IL570 FRAME FOOT MOUNT TEFC, BLIND FOOTED SANIFAN

NOTES:

OAL DIMENSION			
RATIO	OUTPUT RPM	0.25-0.33 HP	0.5 HP
3.17	548	12.92"	13.92"
3.6	483		
4.25	409		
5.33	326		
10.05	173		
11.41	152	13.79"	14.79"
12.96	134		
13.47	129		
15.3	113		
16.89	103		
18.06	96		
19.18	90		
22.65	76		
28.4	61		

REVISIONS			
REV.	DESCRIPTION	BY	DATE



- OTHER SHAFT SIZES AVAILABLE
- GREASE OR OIL LUBRICATION AVAILABLE
- OTHER RATIOS AVAILABLE UPON REQUEST

THIS DRAWING CONTAINS INFORMATION WHICH IS PROPRIETARY AND CONFIDENTIAL TO STAINLESS MOTORS, INC., AND IS TRANSMITTED IN CONFIDENCE. THE REPRODUCTION, USE OR DISCLOSURE, IN WHOLE OR IN PART, OF THE DESIGN CONTAINED HEREIN TO OTHERS IS PROHIBITED WITHOUT THE WRITTEN CONSENT OF STAINLESS MOTORS, INC.

© COPYRIGHT STAINLESS MOTORS, INC. ALL RIGHTS RESERVED. YEAR OF COPYRIGHT IS FIRST YEAR INDICATED ON THE DRAWING.

DO NOT SCALE DRAWING	MATERIAL: T304 EXTERIOR 17-4 H1150 SHAFT
UNLESS OTHERWISE SPECIFIED	FINISH: #4 LINE
DIMENSIONS ARE IN INCHES DIMENSIONS AND SURFACE TEXTURE DESIGNATIONS APPLY PRIOR TO FINISH	GENERAL TOLERANCES: .X = +/-0.015 .XX = +/-0.010 .XXX = +/-0.005
DEBURR AND BREAK ALL SHARP EDGES 0.005 - 0.015	FRACTIONAL = +/- 1/64 ANGULAR = +/- 1/2°

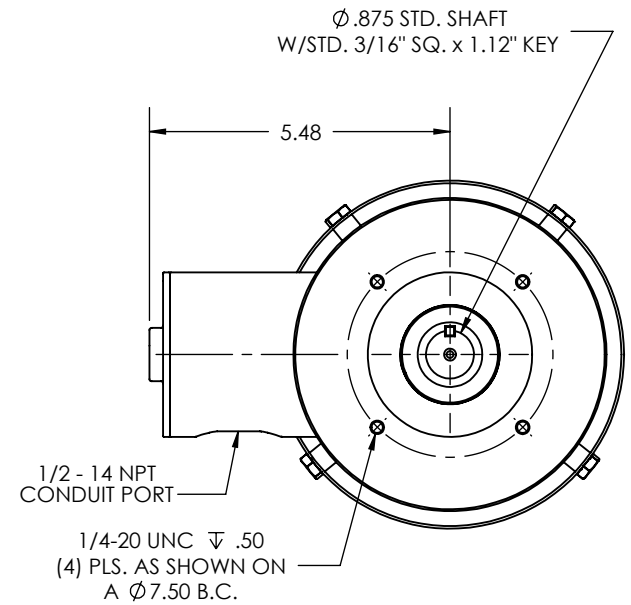
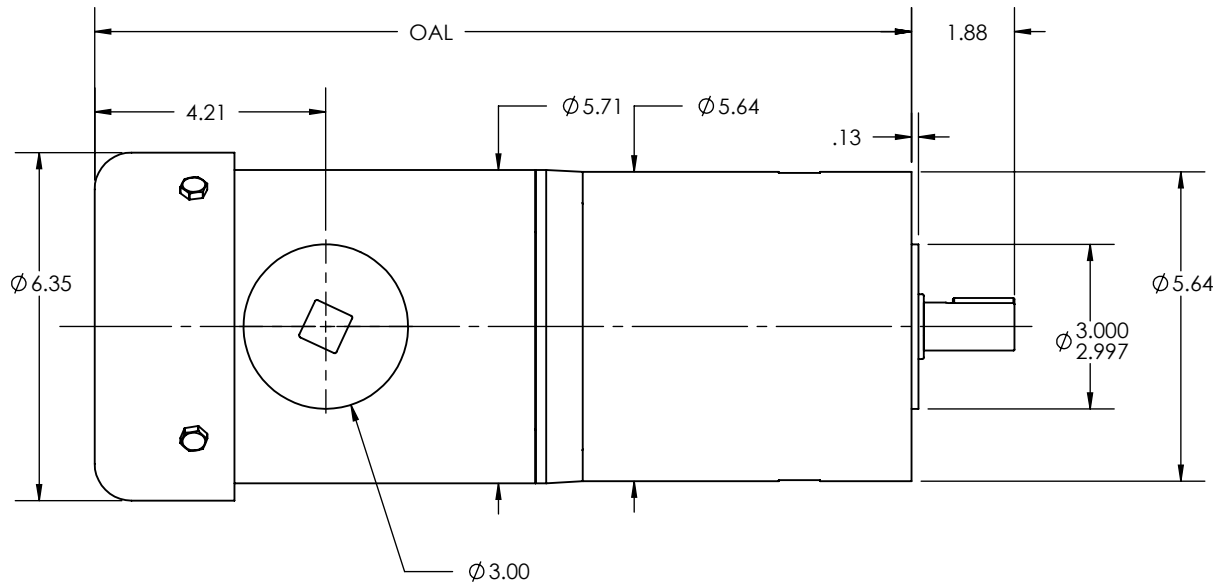
<b>STAINLESS MOTORS INC.</b>	
DRAWN: WJK	IL570 FRAME FOOT MOUNT TENV, BLIND FOOTED SANIFAN
CHECK: JO	
DATE: 1/28/2019	

NOTES:

REFERENCE DRAWING: F:\Website\GEARBOXES\IL\IL570XXXBXXX-TENV

OAL DIMENSION			
RATIO	OUTPUT RPM	0.25-0.33 HP	0.5 HP
3.17	548	14.02"	15.02"
3.6	483		
4.25	409		
5.33	326		
10.05	173		
11.41	152	14.89"	15.89"
12.96	134		
13.47	129		
15.3	113		
16.89	103		
18.06	96		
19.18	90		
22.65	76		
28.4	61		

REVISIONS			
REV.	DESCRIPTION	BY	DATE



- OTHER SHAFT SIZES AVAILABLE
- GREASE OR OIL LUBRICATION AVAILABLE
- OTHER RATIOS AVAILABLE UPON REQUEST

THIS DRAWING CONTAINS INFORMATION WHICH IS PROPRIETARY AND CONFIDENTIAL TO STAINLESS MOTORS, INC., AND IS TRANSMITTED IN CONFIDENCE. THE REPRODUCTION, USE OR DISCLOSURE, IN WHOLE OR IN PART, OF THE DESIGN CONTAINED HEREIN TO OTHERS IS PROHIBITED WITHOUT THE WRITTEN CONSENT OF STAINLESS MOTORS, INC.

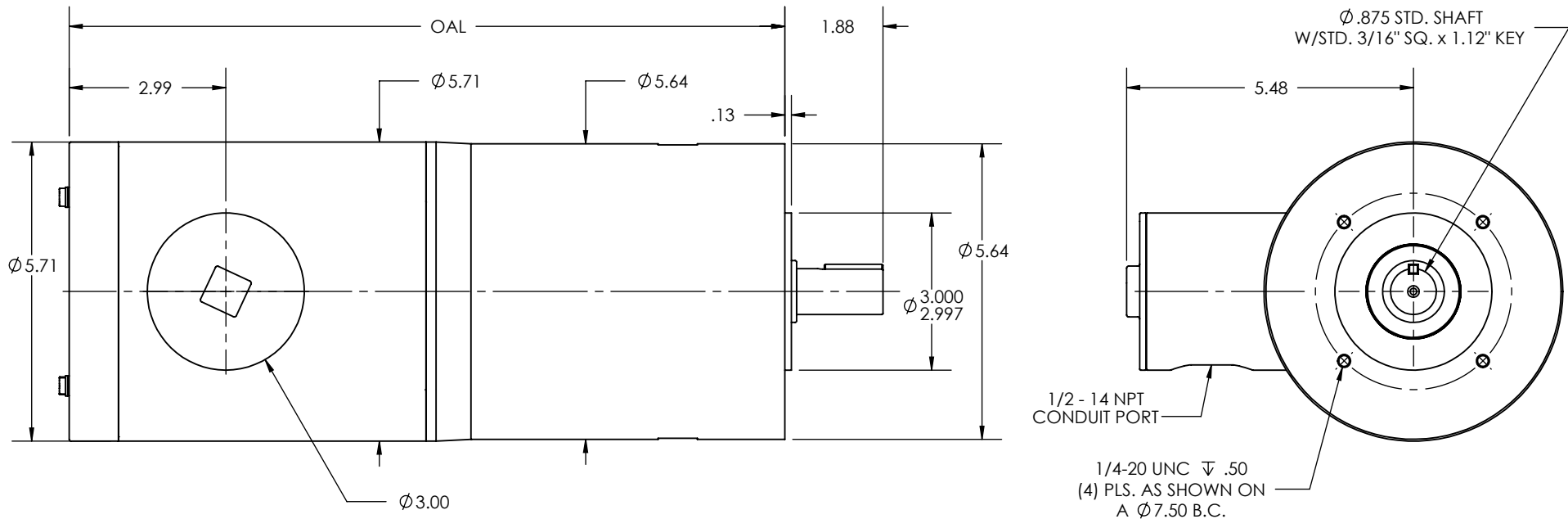
© COPYRIGHT STAINLESS MOTORS, INC. ALL RIGHTS RESERVED. YEAR OF COPYRIGHT IS FIRST YEAR INDICATED ON THE DRAWING.

DO NOT SCALE DRAWING	MATERIAL: T304 EXTERIOR 17-4 H1150 SHAFT	<b>STAINLESS MOTORS INC.</b>
UNLESS OTHERWISE SPECIFIED	FINISH: #4 LINE	
DIMENSIONS ARE IN INCHES DIMENSIONS AND SURFACE TEXTURE DESIGNATIONS APPLY PRIOR TO FINISH	GENERAL TOLERANCES: .X = +/- 0.015 .XX = +/- 0.010 .XXX = +/- 0.005	DRAWN: WJK
DEBURR AND BREAK ALL SHARP EDGES 0.005 - 0.015	FRACTIONAL = +/- 1/64 ANGULAR = +/- 1/2°	CHECK: JO
REFERENCE DRAWING: F:\Website\GEARBOXES\IL\IL570XXXCAXXX		ENG: JO
		DATE: 1/28/2019
		IL570 FRAME C-FACE MOUNT TEFC, NON FOOTED SANIFAN

NOTES:

OAL DIMENSION			
RATIO	OUTPUT RPM	0.25-0.33 HP	0.5 HP
3.17	548	12.80"	13.80"
3.6	483		
4.25	409		
5.33	326		
10.05	173		
11.41	152		
12.96	134	13.67"	14.67"
13.47	129		
15.3	113		
16.89	103		
18.06	96		
19.18	90		
22.65	76		
28.4	61		

REVISIONS			
REV.	DESCRIPTION	BY	DATE



1. OTHER SHAFT SIZES AVAILABLE
2. GREASE OR OIL LUBRICATION AVAILABLE
3. OTHER RATIOS AVAILABLE UPON REQUEST

THIS DRAWING CONTAINS INFORMATION WHICH IS PROPRIETARY AND CONFIDENTIAL TO STAINLESS MOTORS, INC., AND IS TRANSMITTED IN CONFIDENCE. THE REPRODUCTION, USE OR DISCLOSURE, IN WHOLE OR IN PART, OF THE DESIGN CONTAINED HEREIN TO OTHERS IS PROHIBITED WITHOUT THE WRITTEN CONSENT OF STAINLESS MOTORS, INC.

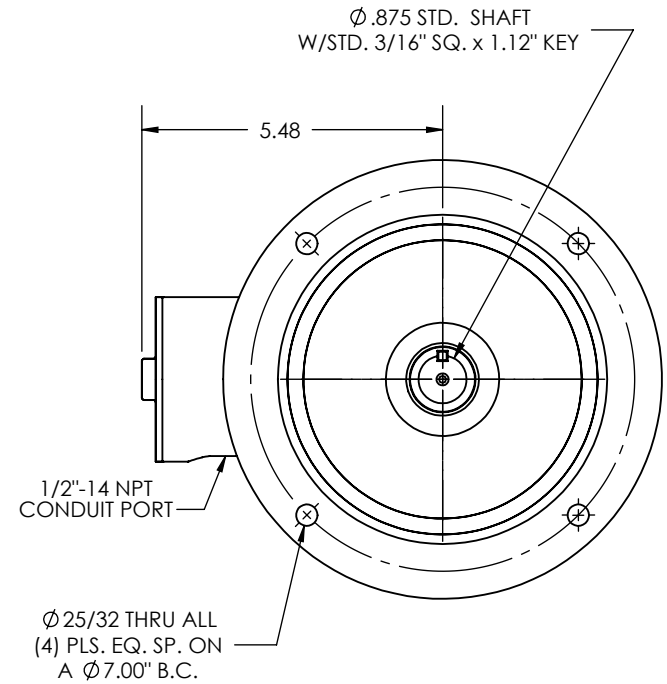
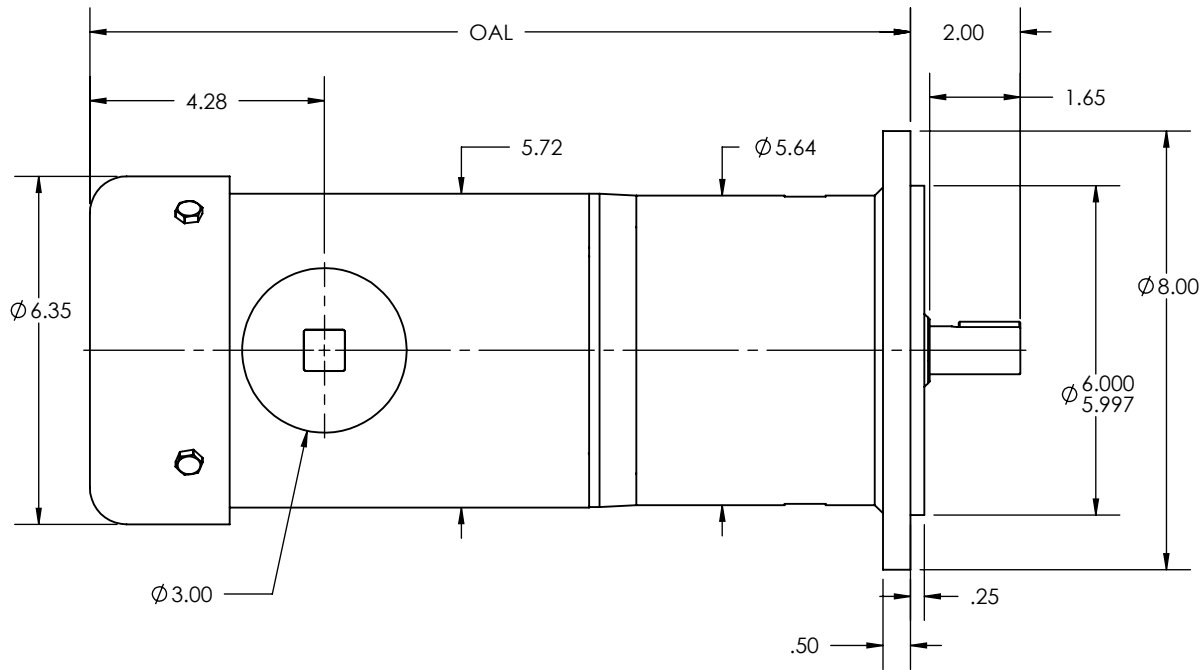
© COPYRIGHT STAINLESS MOTORS, INC. ALL RIGHTS RESERVED. YEAR OF COPYRIGHT IS FIRST YEAR INDICATED ON THE DRAWING.

DO NOT SCALE DRAWING	MATERIAL: T304 EXTERIOR 17-4 H1150 SHAFT	<b>STAINLESS MOTORS INC.</b>
UNLESS OTHERWISE SPECIFIED	FINISH: #4 LINE	
DIMENSIONS ARE IN INCHES DIMENSIONS AND SURFACE TEXTURE DESIGNATIONS APPLY PRIOR TO FINISH	GENERAL TOLERANCES: .X = +/-0.015 .XX = +/-0.010 .XXX = +/-0.005	DRAWN: WJK
DEBURR AND BREAK ALL SHARP EDGES 0.005 - 0.015	FRACTIONAL = +/- 1/64 ANGULAR = +/- 1/2°	CHECK: JO
REFERENCE DRAWING: F:\Website\GEARBOXES\IL\IL570XXXCAXXX-TENV		DATE: 1/28/2019
		IL570 FRAME C-FACE MOUNT TENV, NON FOOTED SANIFAN

NOTES:

OAL DIMENSION			
RATIO	OUTPUT RPM	0.25-0.33 HP	0.5 HP
3.17	548	13.90"	14.90"
3.6	483		
4.25	409		
5.33	326		
10.05	173		
11.41	152		
12.96	134	14.77"	15.77"
13.47	129		
15.3	113		
16.89	103		
18.06	96		
19.18	90		
22.65	76		
28.4	61		

REVISIONS			
REV.	DESCRIPTION	BY	DATE



- OTHER SHAFT SIZES AVAILABLE
- GREASE OR OIL LUBRICATION AVAILABLE
- OTHER RATIOS AVAILABLE UPON REQUEST

THIS DRAWING CONTAINS INFORMATION WHICH IS PROPRIETARY AND CONFIDENTIAL TO STAINLESS MOTORS, INC., AND IS TRANSMITTED IN CONFIDENCE. THE REPRODUCTION, USE OR DISCLOSURE, IN WHOLE OR IN PART, OF THE DESIGN CONTAINED HEREIN TO OTHERS IS PROHIBITED WITHOUT THE WRITTEN CONSENT OF STAINLESS MOTORS, INC.

© COPYRIGHT STAINLESS MOTORS, INC. ALL RIGHTS RESERVED. YEAR OF COPYRIGHT IS FIRST YEAR INDICATED ON THE DRAWING.

DO NOT SCALE DRAWING	MATERIAL: T304 EXTERIOR 17-4 H1150 SHAFT
UNLESS OTHERWISE SPECIFIED	FINISH: #4 LINE
DIMENSIONS ARE IN INCHES DIMENSIONS AND SURFACE TEXTURE DESIGNATIONS APPLY PRIOR TO FINISH	GENERAL TOLERANCES: .X = +/-0.015 .XX = +/-0.010 .XXX = +/-0.005
DEBURR AND BREAK ALL SHARP EDGES 0.005 - 0.015	FRACTIONAL = +/- 1/64 ANGULAR = +/- 1/2°

**STAINLESS MOTORS INC.**

DRAWN:	WJK
CHECK:	
ENG:	JO
DATE:	1/28/2019

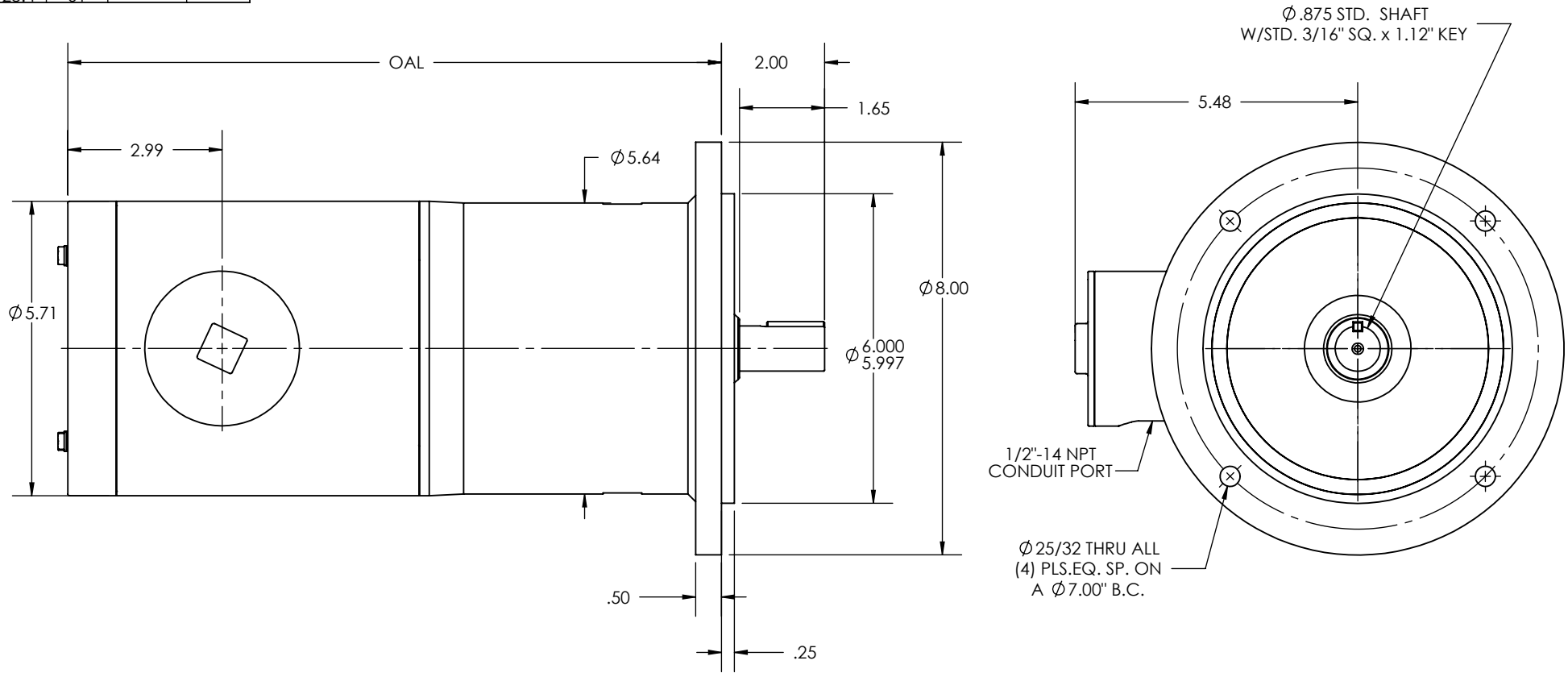
IL570 FRAME  
D-FLANGE MOUNT  
TEFC, THRU FOOTED  
SANIFAN

NOTES:

REFERENCE DRAWING:  
NUMBER: F:\Website\GEARBOXES\IL\IL570XXXNXXXX

OAL DIMENSION			
RATIO	OUTPUT RPM	0.25-0.33 HP	0.5 HP
3.17	548	12.67"	13.67"
3.6	483		
4.25	409		
5.33	326		
10.05	173		
11.41	152		
12.96	134		
13.47	129	13.25"	14.54"
15.3	113		
16.89	103		
18.06	96		
19.18	90		
22.65	76		
28.4	61		

REVISIONS			
REV.	DESCRIPTION	BY	DATE



- OTHER SHAFT SIZES AVAILABLE
- GREASE OR OIL LUBRICATION AVAILABLE
- OTHER RATIOS AVAILABLE UPON REQUEST

THIS DRAWING CONTAINS INFORMATION WHICH IS PROPRIETARY AND CONFIDENTIAL TO STAINLESS MOTORS, INC., AND IS TRANSMITTED IN CONFIDENCE. THE REPRODUCTION, USE OR DISCLOSURE, IN WHOLE OR IN PART, OF THE DESIGN CONTAINED HEREIN TO OTHERS IS PROHIBITED WITHOUT THE WRITTEN CONSENT OF STAINLESS MOTORS, INC.

© COPYRIGHT STAINLESS MOTORS, INC. ALL RIGHTS RESERVED. YEAR OF COPYRIGHT IS FIRST YEAR INDICATED ON THE DRAWING.

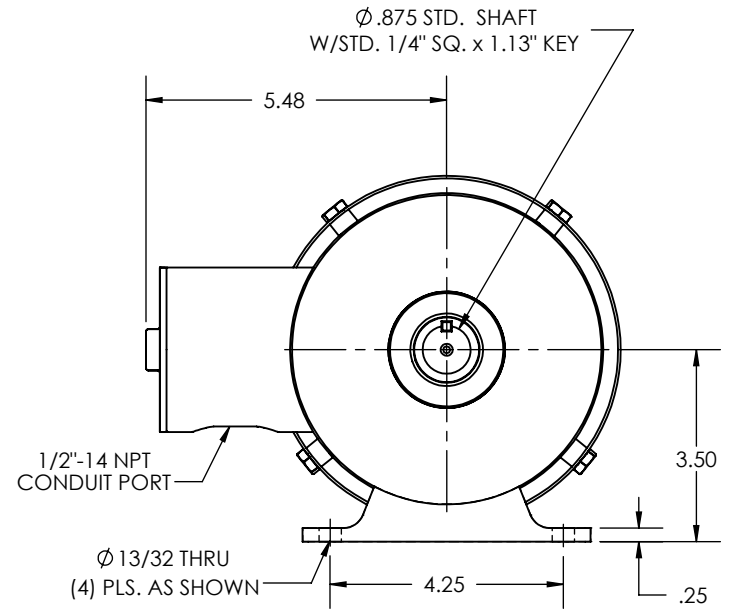
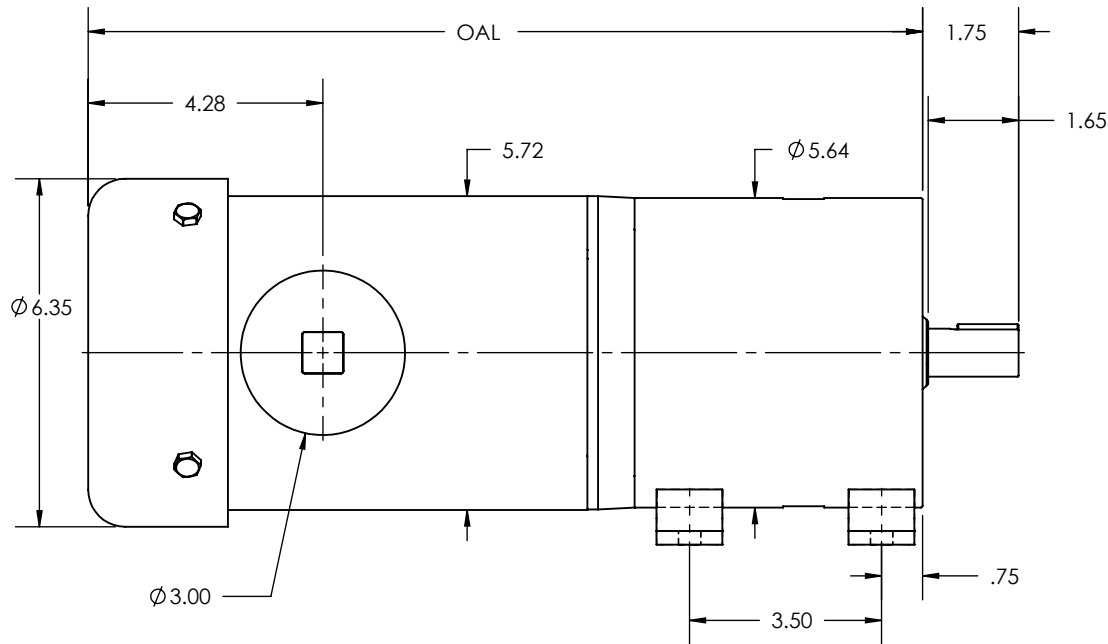
DO NOT SCALE DRAWING	MATERIAL: T304 EXTERIOR 17-4 H1150 SHAFT	<b>STAINLESS MOTORS INC.</b>
UNLESS OTHERWISE SPECIFIED	FINISH: #4 LINE	
DIMENSIONS ARE IN INCHES DIMENSIONS AND SURFACE TEXTURE DESIGNATIONS APPLY PRIOR TO FINISH	GENERAL TOLERANCES: .X = +/-0.015 .XX = +/-0.010 .XXX = +/-0.005	DRAWN: WJK
DEBURR AND BREAK ALL SHARP EDGES 0.005 - 0.015	FRACTIONAL = +/- 1/64 ANGULAR = +/- 1/2°	CHECK: JO
REFERENCE DRAWING: F:\Website\GEARBOXES\IL\IL570XXXNXXXX-TENV		ENG: JO
		DATE: 1/28/2019
		IL570 FRAME D-FLANGE MOUNT TENV, THRU FOOTED SANIFAN

NOTES:



OAL DIMENSION			
RATIO	OUTPUT RPM	0.25-0.33 HP	0.5 HP
3.17	548	14.15"	15.15"
3.6	483		
4.25	409		
5.33	326		
10.05	173		
11.41	152		
12.96	134	15.02"	16.02"
13.47	129		
15.3	113		
16.89	103		
18.06	96		
19.18	90		
22.65	76		
28.4	61		

REVISIONS			
REV.	DESCRIPTION	BY	DATE



- OTHER SHAFT SIZES AVAILABLE
- GREASE OR OIL LUBRICATION AVAILABLE
- OTHER RATIOS AVAILABLE UPON REQUEST

THIS DRAWING CONTAINS INFORMATION WHICH IS PROPRIETARY AND CONFIDENTIAL TO STAINLESS MOTORS, INC. AND IS TRANSMITTED IN CONFIDENCE. THE REPRODUCTION, USE OR DISCLOSURE, IN WHOLE OR IN PART, OF THE DESIGN CONTAINED HEREIN TO OTHERS IS PROHIBITED WITHOUT THE WRITTEN CONSENT OF STAINLESS MOTORS, INC.

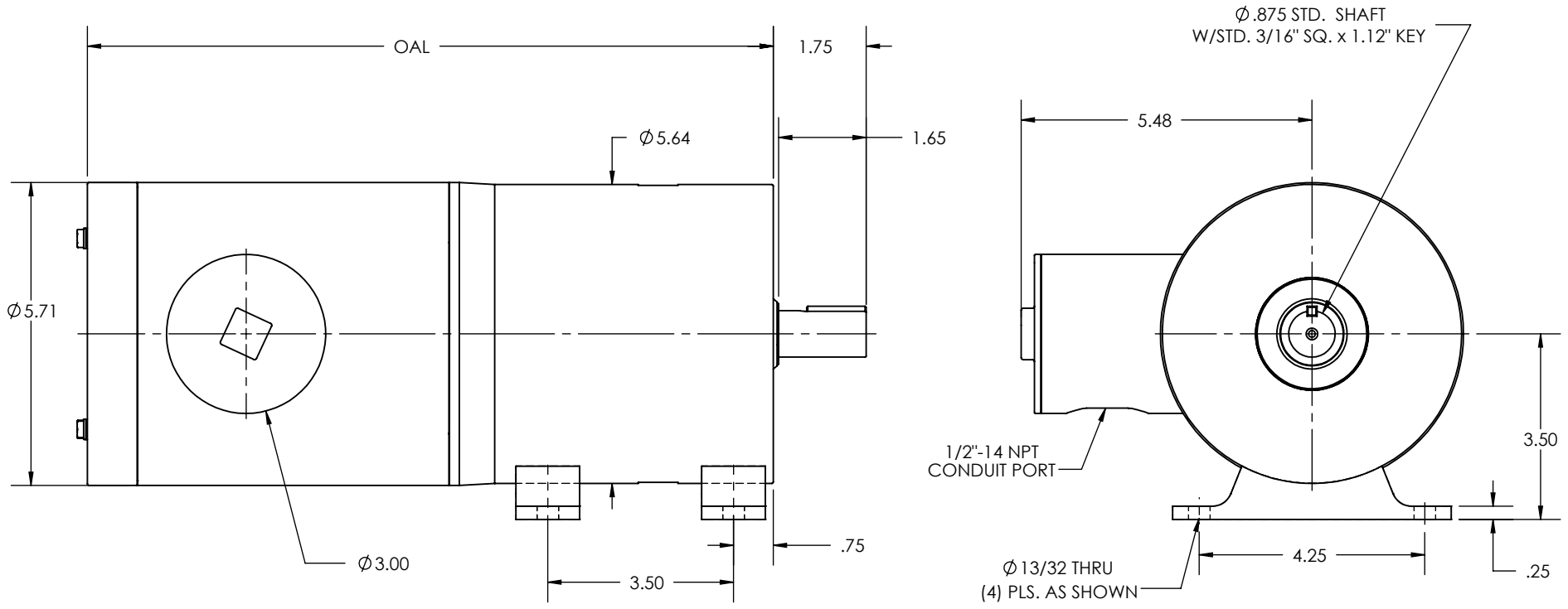
© COPYRIGHT STAINLESS MOTORS, INC. ALL RIGHTS RESERVED. YEAR OF COPYRIGHT IS FIRST YEAR INDICATED ON THE DRAWING.

DO NOT SCALE DRAWING	MATERIAL: T304 EXTERIOR 17-4 H1150 SHAFT	<b>STAINLESS MOTORS INC.</b>
UNLESS OTHERWISE SPECIFIED	FINISH: #4 LINE	
DIMENSIONS ARE IN INCHES DIMENSIONS AND SURFACE TEXTURE DESIGNATIONS APPLY PRIOR TO FINISH	GENERAL TOLERANCES: .X = +/- 0.015 .XX = +/- 0.010 .XXX = +/- 0.005	DRAWN: WJK
DEBURR AND BREAK ALL SHARP EDGES 0.005 - 0.015	FRACTIONAL = +/- 1/64 ANGULAR = +/- 1/2°	CHECK: JO
REFERENCE DRAWING: F:\Website\GEARBOXES\IL\IL570XXXTAXXX		ENG: JO
		DATE: 1/28/2019
		IL570 FRAME FOOT MOUNT TEFC, THRU FOOTED SANIFAN

NOTES:

OAL DIMENSION			
RATIO	OUTPUT RPM	0.25-0.33 HP	0.5 HP
3.17	548	12.92"	13.92"
3.6	483		
4.25	409		
5.33	326		
10.05	173		
11.41	152		
12.96	134	13.79"	14.79"
13.47	129		
15.3	113		
16.89	103		
18.06	96		
19.18	90		
22.65	76		
28.4	61		

REVISIONS			
REV.	DESCRIPTION	BY	DATE



- OTHER SHAFT SIZES AVAILABLE
- GREASE OR OIL LUBRICATION AVAILABLE
- OTHER RATIOS AVAILABLE UPON REQUEST

THIS DRAWING CONTAINS INFORMATION WHICH IS PROPRIETARY AND CONFIDENTIAL TO STAINLESS MOTORS, INC., AND IS TRANSMITTED IN CONFIDENCE. THE REPRODUCTION, USE OR DISCLOSURE, IN WHOLE OR IN PART, OF THE DESIGN CONTAINED HEREIN TO OTHERS IS PROHIBITED WITHOUT THE WRITTEN CONSENT OF STAINLESS MOTORS, INC.

© COPYRIGHT STAINLESS MOTORS, INC. ALL RIGHTS RESERVED. YEAR OF COPYRIGHT IS FIRST YEAR INDICATED ON THE DRAWING.

DO NOT SCALE DRAWING	MATERIAL: T304 EXTERIOR 17-4 H1150 SHAFT
UNLESS OTHERWISE SPECIFIED	FINISH: #4 LINE
DIMENSIONS ARE IN INCHES DIMENSIONS AND SURFACE TEXTURE DESIGNATIONS APPLY PRIOR TO FINISH	GENERAL TOLERANCES: .X = +/-0.015 .XX = +/-0.010 .XXX = +/-0.005
DEBURR AND BREAK ALL SHARP EDGES 0.005 - 0.015	FRACTIONAL = +/- 1/64 ANGULAR = +/- 1/2°

**STAINLESS MOTORS INC.**

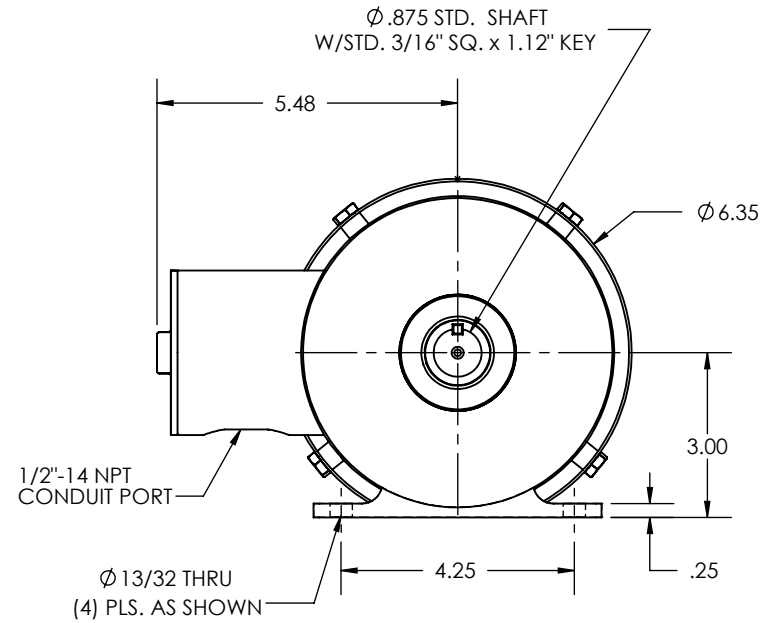
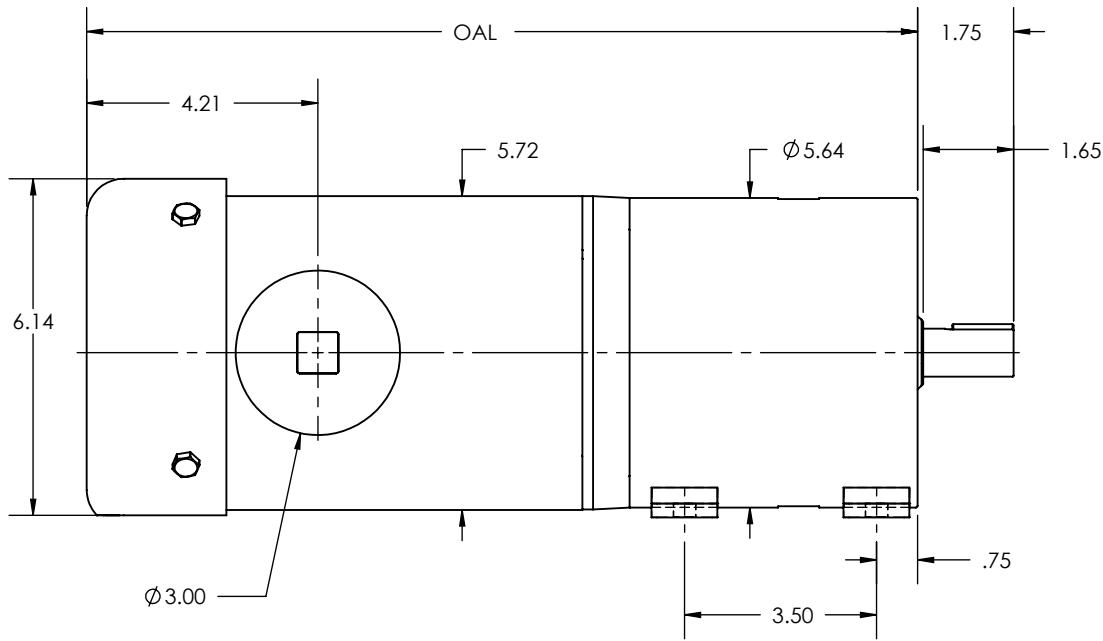
DRAWN: WJK	IL570 FRAME FOOT MOUNT TENV, THRU FOOTED SANIFAN
CHECK: JO	
DATE: 1/28/2019	

NOTES:

REFERENCE DRAWING: F:\Website\GEARBOXES\IL\IL570\XXX\TXXX-TENV

OAL DIMENSION			
RATIO	OUTPUT RPM	0.25-0.33 HP	0.5 HP
3.17	548	14.15"	15.15"
3.6	483		
4.25	409		
5.33	326		
10.05	173		
11.41	152	15.02"	16.02"
12.96	134		
13.47	129		
15.3	113		
16.89	103		
18.06	96		
19.18	90		
22.65	76		
28.4	61		

REVISIONS			
REV.	DESCRIPTION	BY	DATE



- OTHER SHAFT SIZES AVAILABLE
- GREASE OR OIL LUBRICATION AVAILABLE
- OTHER RATIOS AVAILABLE UPON REQUEST

THIS DRAWING CONTAINS INFORMATION WHICH IS PROPRIETARY AND CONFIDENTIAL TO STAINLESS MOTORS, INC. AND IS TRANSMITTED IN CONFIDENCE. THE REPRODUCTION, USE OR DISCLOSURE, IN WHOLE OR IN PART, OF THE DESIGN CONTAINED HEREIN TO OTHERS IS PROHIBITED WITHOUT THE WRITTEN CONSENT OF STAINLESS MOTORS, INC.

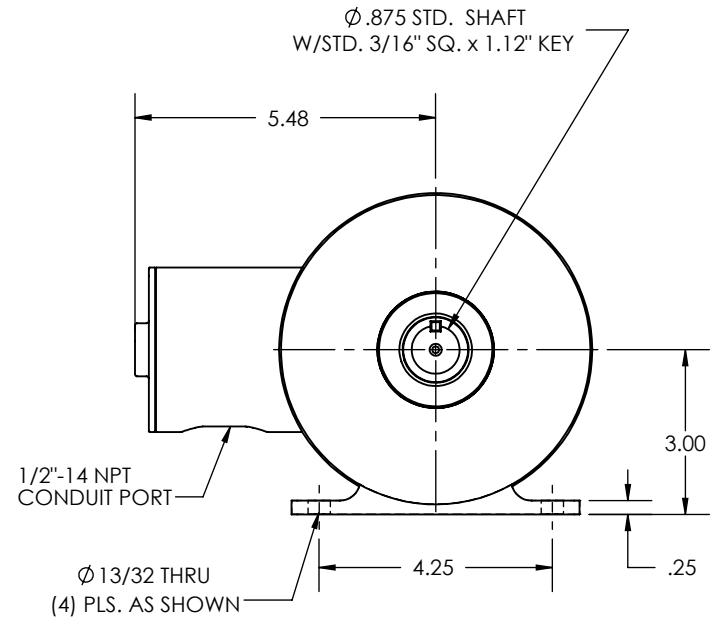
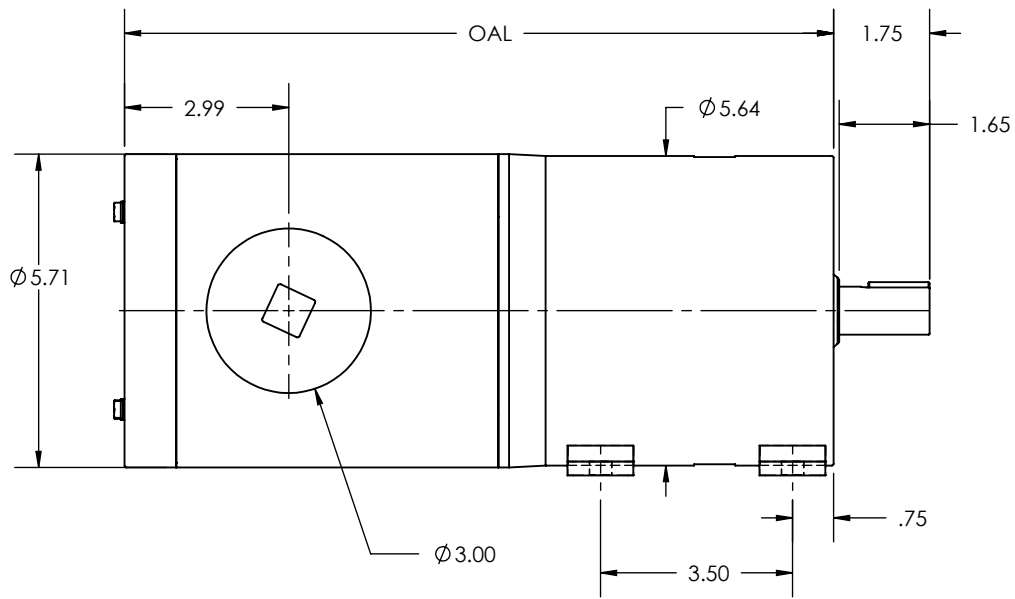
© COPYRIGHT STAINLESS MOTORS, INC. ALL RIGHTS RESERVED. YEAR OF COPYRIGHT IS FIRST YEAR INDICATED ON THE DRAWING.

DO NOT SCALE DRAWING	MATERIAL: T304 EXTERIOR 17-4 H1150 SHAFT	<b>STAINLESS MOTORS INC.</b>
UNLESS OTHERWISE SPECIFIED	FINISH: #4 LINE	
DIMENSIONS ARE IN INCHES DIMENSIONS AND SURFACE TEXTURE DESIGNATIONS APPLY PRIOR TO FINISH	GENERAL TOLERANCES: .X = +/- 0.015 .XX = +/- 0.010 .XXX = +/- 0.005	DRAWN: WJK
DEBURR AND BREAK ALL SHARP EDGES 0.005 - 0.015	FRACTIONAL = +/- 1/64 ANGULAR = +/- 1/2°	CHECK: JO
REFERENCE DRAWING: F:\Website\GEARBOXES\IL\IL570XXXXXX		ENG: JO
		DATE: 1/28/2019
		IL570 FRAME FOOT MOUNT TEFC, THRU FOOTED SANIFAN

NOTES:

OAL DIMENSION			
RATIO	OUTPUT RPM	0.25-0.33 HP	0.5 HP
3.17	548	12.92"	13.92"
3.6	483		
4.25	409		
5.33	326		
10.05	173		
11.41	152	13.79"	14.79"
12.96	134		
13.47	129		
15.3	113		
16.89	103		
18.06	96		
19.18	90		
22.65	76		
28.4	61		

REVISIONS			
REV.	DESCRIPTION	BY	DATE



1. OTHER SHAFT SIZES AVAILABLE
2. GREASE OR OIL LUBRICATION AVAILABLE
3. OTHER RATIOS AVAILABLE UPON REQUEST

THIS DRAWING CONTAINS INFORMATION WHICH IS PROPRIETARY AND CONFIDENTIAL TO STAINLESS MOTORS, INC. AND IS TRANSMITTED IN CONFIDENCE. THE REPRODUCTION, USE OR DISCLOSURE, IN WHOLE OR IN PART, OF THE DESIGN CONTAINED HEREIN TO OTHERS IS PROHIBITED WITHOUT THE WRITTEN CONSENT OF STAINLESS MOTORS, INC.

© COPYRIGHT STAINLESS MOTORS, INC. ALL RIGHTS RESERVED. YEAR OF COPYRIGHT IS FIRST YEAR INDICATED ON THE DRAWING.

DO NOT SCALE DRAWING	MATERIAL: T304 EXTERIOR 17-4 H1150 SHAFT	<b>STAINLESS MOTORS INC.</b>
UNLESS OTHERWISE SPECIFIED	FINISH: #4 LINE	
DIMENSIONS ARE IN INCHES DIMENSIONS AND SURFACE TEXTURE DESIGNATIONS APPLY PRIOR TO FINISH	GENERAL TOLERANCES: .X = +/- 0.015 .XX = +/- 0.010 .XXX = +/- 0.005	DRAWN: WJK
DEBURR AND BREAK ALL SHARP EDGES 0.005 - 0.015	FRACTIONAL = +/- 1/64 ANGULAR = +/- 1/2°	CHECK: JO
REFERENCE DRAWING: F:\Website\GEARBOXES\IL\IL570XXXXXXX-TENV		ENG: JO
		DATE: 1/28/2019
		IL570 FRAME FOOT MOUNT TENV, THRU FOOTED SANIFAN

NOTES: